

EN



# SPARE PARTS CATALOGUE

## for AUTOTERM AIR 9D

**Manufacturer: ADVERS LLC**

Novo-Sadovaja street, 106, 443068, Samara, Russia

[www.autoterm.com](http://www.autoterm.com)

**Representative office: AUTOTERM LLC**

Paleju 72, Marupe, Latvia, LV-2167

**Warranty Department** [warranty@autoterm.com](mailto:warranty@autoterm.com)

**Technical Support** [service@autoterm.com](mailto:service@autoterm.com)

[www.autoterm.com](http://www.autoterm.com)

This spare parts catalogue is intended for companies and individuals involved in installing, repairing, and maintaining air heaters AUTOTERM AIR 9D.

This catalogue consists of three sections:

1. Contents of the installation kit of the heater (Figure 1, Table 1)
2. Outer schematic of the heater's spare parts (Figure 2, Table 2)
3. Inner schematic of the heater's spare parts (Figure 3, Table 3)

If a part fails during use of the heater, look for its designation in this catalogue to order a replacement from the manufacturer.



To facilitate ordering, use the manufacturer's spare parts numbers in the tables below.

---

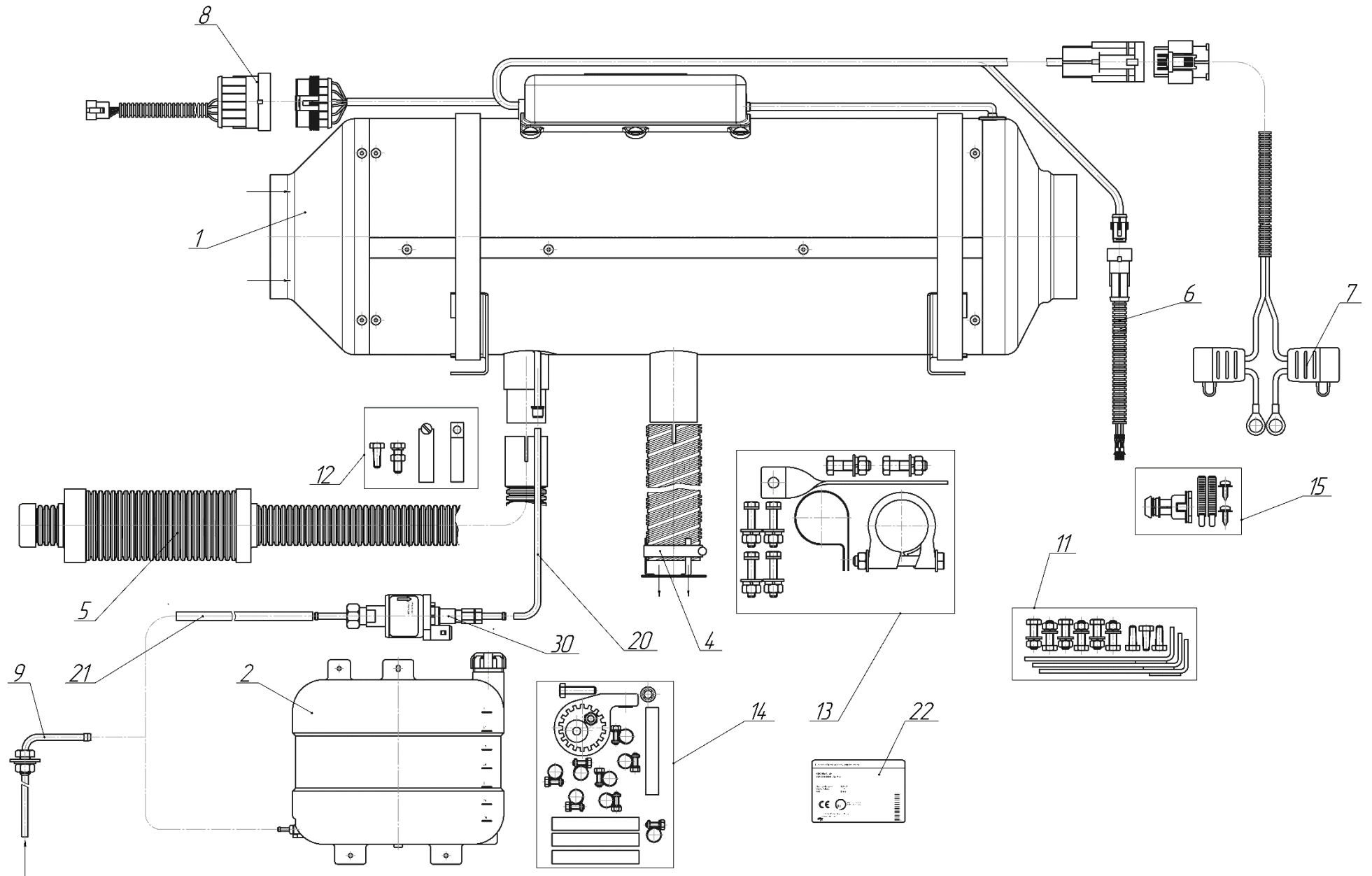
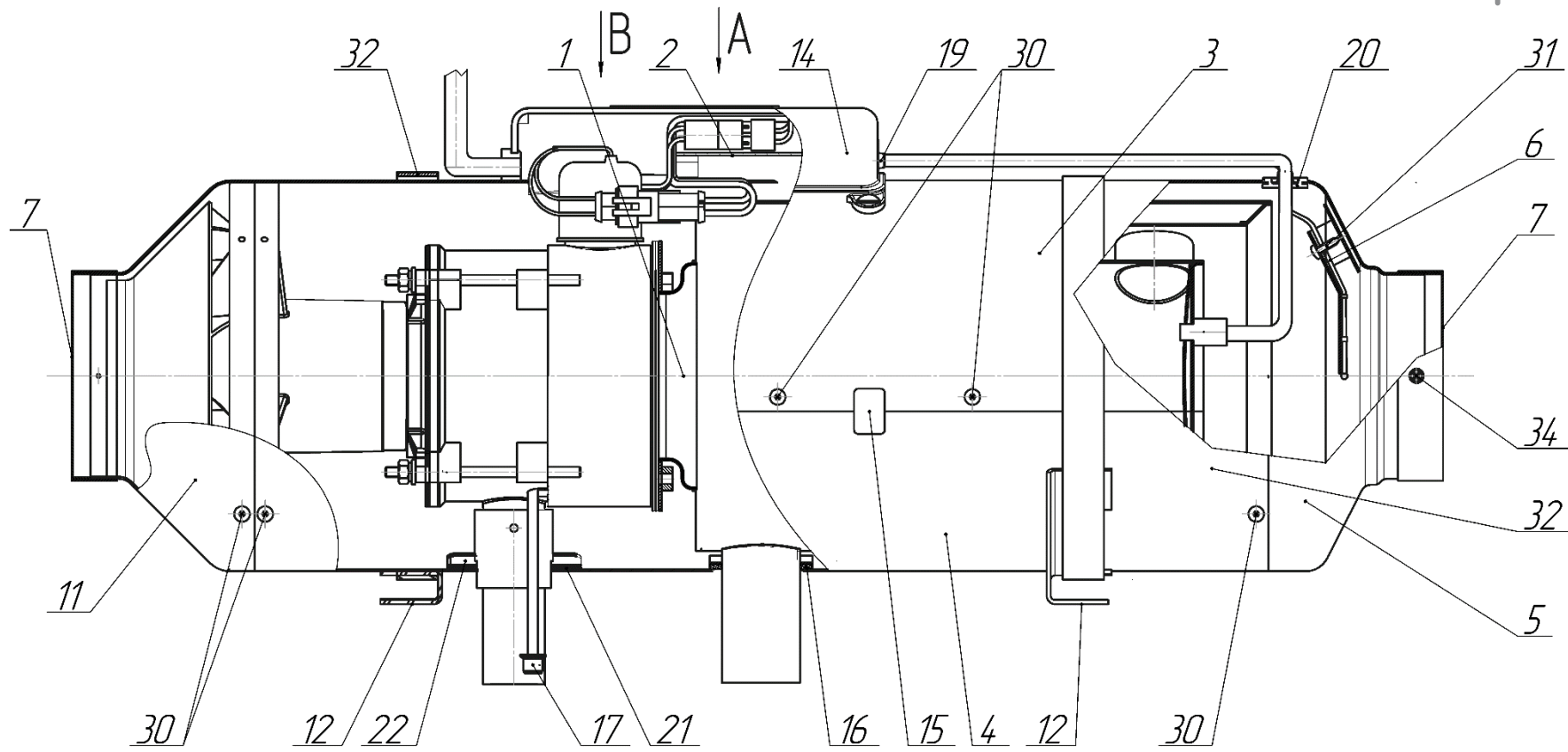


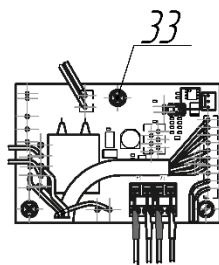
Figure 1 – Contents of the installation kit

Table 1

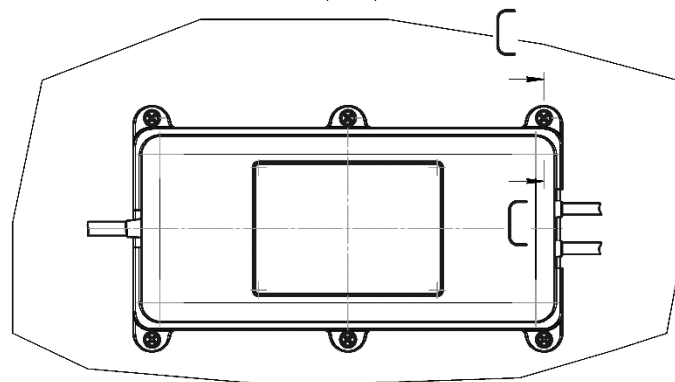
| №  | Part/assembly description and designation | Notes           | Air 9D (24V) ASSY 4790 | Air 9D ASSY 4795 |
|----|---|-----------------|------------------------|------------------|
|    | Air heater number                         |                 | 1                      | 2                |
| 1  | Heater                                    |                 |                        |                  |
|    | ASSY 4791                                 | 24V             | 1                      |                  |
|    | ASSY 4796                                 | 12V             |                        | 1                |
| 2  | Fuel tank                                 |                 |                        |                  |
|    | ASSY 291 or ASSY 4121                     | БТ7-Ш or БТ7-Ш2 | 1                      | 1                |
| 4  | Exhaust pipe                              |                 |                        |                  |
|    | ASSY 411                                  |                 | 1                      | 1                |
| 5  | Air intake with silencer                  |                 |                        |                  |
|    | ASSY 4767                                 |                 | 1                      | 1                |
| 6  | Fuel pump harness                         |                 |                        |                  |
|    | ASSY 2061                                 | l=6.0m          | 1                      | 1                |
| 7  | Power supply harness                      |                 |                        |                  |
|    | ASSY 1499                                 | l=6.5m          | 1                      |                  |
|    | ASSY 2017                                 | l=5.0m          |                        | 1                |
| 8  | Control panel harness                     |                 |                        |                  |
|    | ASSY 2067                                 | l=1.8m          | 1                      | 1                |
| 9  | Fuel intake                               |                 |                        |                  |
|    | ASSY 807                                  |                 | 1                      | 1                |
| 11 | Fuel tank БТ7 installation kit            |                 |                        |                  |
|    | ASSY 9020                                 |                 | 1                      | 1                |
| 12 | Air intake mounting kit                   |                 |                        |                  |
|    | ASSY 9021                                 |                 | 1                      | 1                |
| 13 | Exhaust pipe and heater mounting kit      |                 |                        |                  |
|    | ASSY 9047                                 |                 | 1                      | 1                |
| 14 | Fuel system mounting kit                  |                 |                        |                  |
|    | ASSY 9049                                 |                 | 1                      | 1                |
| 15 | Wiring harnesses mounting kit             |                 |                        |                  |
|    | ASSY 9050                                 |                 | 1                      | 1                |
| 20 | Fuel supply line                          |                 |                        |                  |
|    | p.473                                     | L=4.0m          | 1                      | 1                |
| 21 | Fuel supply line                          |                 |                        |                  |
|    | p.474                                     | L=1.0m          | 1                      | 1                |
| 22 | Duplicate of label                        |                 |                        |                  |
|    | p.5354                                    |                 | 1                      |                  |
|    | p.5355                                    |                 |                        | 1                |
| 30 | Fuel pump                                 |                 |                        |                  |
|    | P0631 24V                                 | Thomas Magnete  | 1                      |                  |
|    | P0630 12V                                 | Thomas Magnete  |                        | 1                |



*B (1:4) Without part pos.14*



*A (1:2)*



*C (5:1)*

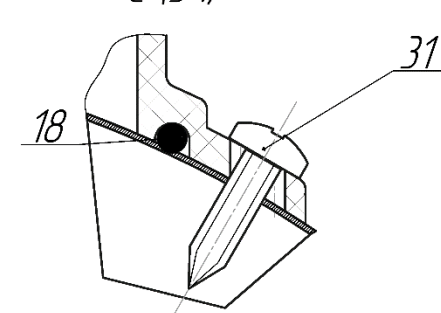


Figure 2 – Outer schematic of spare parts for the heater

Table 2

| №  | Part/assembly description and designation              | Notes | ASSY 4791 | ASSY 4796 |
|----|--|-------|-----------|-----------|
|    | Heater number  |       | 1         | 2         |
| 1  | Heater unit  |       |           |           |
|    | ASSY 3677 or ASSY 5315                                 |       | 1         |           |
|    | ASSY 3912 or ASSY 5342                                 |       |           | 1         |
| 2  | Control unit   |       |           |           |
|    | ASSY 3678  | 24V   | 1         |           |
|    | ASSY 3913  | 12V   |           | 1         |
| 3  | Top case   |       |           |           |
|    | ASSY 3679  |       | 1         | 1         |
| 4  | Bottom case  |       |           |           |
|    | ASSY 3681  |       | 1         | 1         |
| 5  | Outlet casing  |       |           |           |
|    | ASSY 3682  |       | 1         | 1         |
| 6  | Outlet temperature sensor                              |       |           |           |
|    | ASSY 3683  |       | 1         | 1         |
| 7  | Outlet grille for casing                               |       |           |           |
|    | ASSY 3728  |       | 2         | 2         |
| 11 | Inlet casing   |       |           |           |
|    | p.3828   |       | 1         | 1         |
| 12 | Mounting bracket                                       |       |           |           |
|    | p.3829   |       | 2         | 2         |
| 14 | Control unit cover                                     |       |           |           |
|    | p.3831   |       | 1         | 1         |
| 15 | Seal   |       |           |           |
|    | p.892  |       | 1         | 1         |
| 16 | Exhaust pipe gasket                                    |       |           |           |
|    | p.1647   |       | 2         | 2         |
| 17 | Cap  |       |           |           |
|    | p.189  |       | 1         | 1         |
| 18 | Control unit seal                                      |       |           |           |
|    | p.3832   |       | 2         | 2         |
| 19 | Control unit cover seal                                |       |           |           |
|    | p.3833   |       | 1         | 1         |
| 20 | Outlet casing gasket                                   |       |           |           |
|    | p.3834   |       | 1         | 1         |
| 21 | Air pipe support                                       |       |           |           |
|    | p.3835   |       | 1         | 1         |
| 22 | Air pipe gasket  |       |           |           |
|    | p.3836   |       | 1         | 1         |
| 30 | Screw M4x10  |       | 28        | 28        |
| 31 | Screw 3,5x13   |       | 2         | 2         |
| 32 | Clamp Norma SP 192-20mm or Clamp Mikalor super 188-200 |       | 2         | 2         |
| 33 | Screw M3x8 DIN 7985                                    |       | 3         | 3         |
| 34 | Screw 3x6 DIN 7516-A                                   |       | 6         | 6         |
| 35 | Washer 3 DIN 125                                       |       | 3         | 3         |
| 36 | Lock washer 4  |       | 6         | 6         |

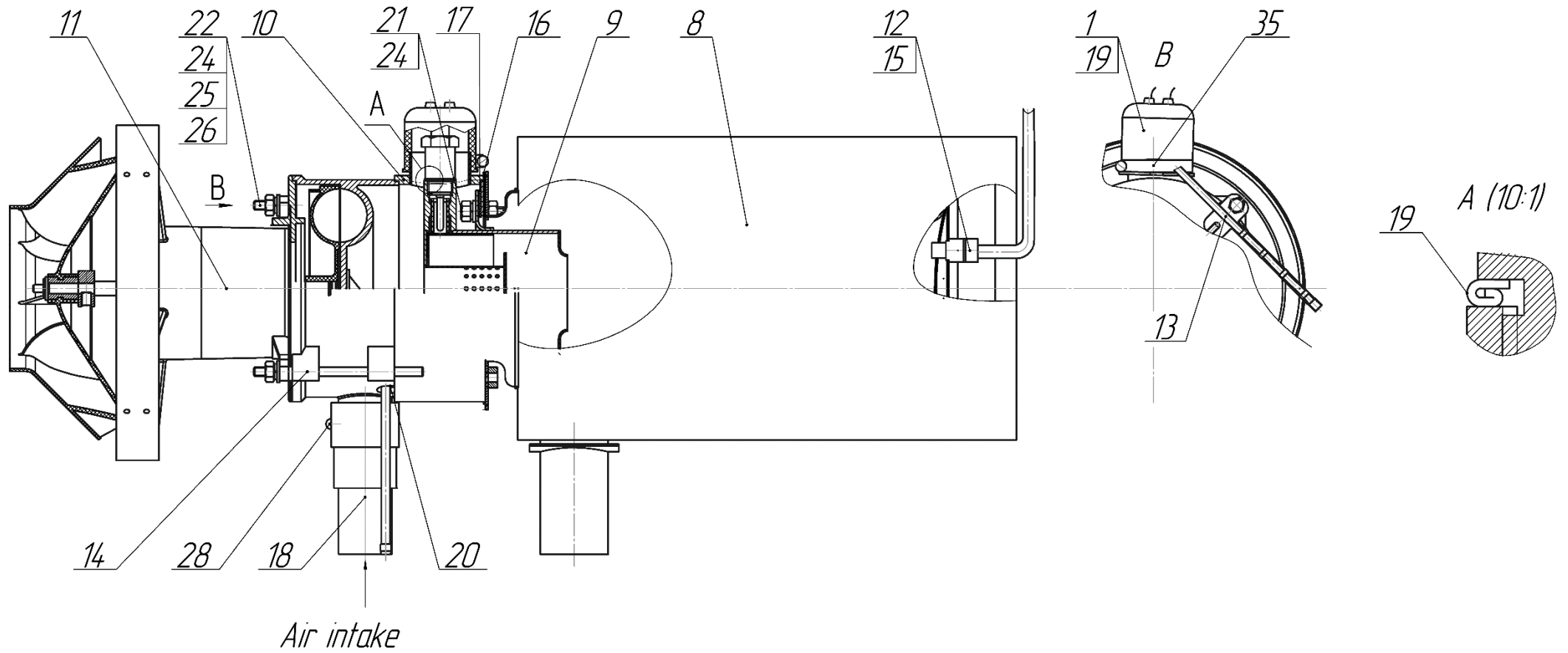


Figure 3 – Inner schematic of spare parts for the heater

Table 3

| No | Part/assembly description and designation | Notes | ASSY 3677 | ASSY 3912 | ASSY 5315 | ASSY 5342 |
|----|---|-------|-----------|-----------|-----------|-----------|
|    | Heater number                             |       | 1         | 2         | 3         | 4         |
| 1  | Glow plug                                 |       |           |           |           |           |
|    | ASSY 3900                                 |       | 1         | 1         | 1         | 1         |
| 8  | Heat exchanger                            |       |           |           |           |           |
|    | ASSY 3684                                 |       | 1         | 1         |           |           |
|    | ASSY 5316                                 |       |           |           | 1         | 1         |
| 9  | Combustion chamber                        |       |           |           |           |           |
|    | ASSY 1606                                 |       | 1         | 1         | 1         | 1         |
| 10 | Adapter                                   |       |           |           |           |           |
|    | ASSY 1607                                 |       | 1         | 1         |           |           |
|    | p.5705                                    |       |           |           | 1         | 1         |
| 11 | Air pump                                  |       |           |           |           |           |
|    | ASSY 3686                                 | 24V   | 1         |           | 1         |           |
|    | ASSY 3919                                 | 12V   |           | 1         |           | 1         |
| 12 | Flame indikator                           |       |           |           |           |           |
|    | ASSY 3687                                 |       | 1         | 1         | 1         | 1         |
| 13 | Air flow sensor (intake)                  |       |           |           |           |           |
|    | ASSY 3068                                 |       | 1         | 1         | 1         | 1         |
| 14 | Air intake adapter                        |       |           |           |           |           |
|    | ASSY 442                                  |       | 1         | 1         | 1         | 1         |
| 15 | Sealing washer                            |       |           |           |           |           |
|    | p.1105                                    |       | 1         | 1         | 1         | 1         |
| 16 | Gasket                                    |       |           |           |           |           |
|    | p.1648                                    |       | 1         | 1         |           |           |
|    | p.5704                                    |       |           |           | 1         | 1         |
| 17 | Combustion chamber gasket                 |       |           |           |           |           |
|    | p.1650                                    |       | 1         | 1         |           |           |
|    | p.5703                                    |       |           |           | 1         | 1         |
| 18 | Air intake                                |       |           |           |           |           |
|    | p.3837                                    |       | 1         | 1         | 1         | 1         |
| 19 | Glow plug washer                          |       |           |           |           |           |
|    | p.198                                     |       | 1         | 1         | 1         | 1         |
| 20 | Sealing                                   |       |           |           |           |           |
|    | p.77                                      |       | 1         | 1         | 1         | 1         |
| 21 | Screw M5x16 DIN 7500C                     |       | 7         | 7         | 7         | 7         |
| 22 | Nut M5                                    |       | 4         | 4         | 4         | 4         |
| 24 | Washer 5                                  |       | 11        | 11        | 11        | 11        |
| 25 | Screw M5x80 DIN 912                       |       | 4         | 4         | 4         | 4         |
| 26 | Lock washer 5                             |       | 4         | 4         | 4         | 4         |
| 28 | Screw 3,9x13 DIN 7981                     |       | 1         | 1         | 1         | 1         |
| 35 | Clamp Mikalor 32x50                       |       | 1         | 1         | 1         | 1         |