

EN



Catalogue of parts and assemblies for air heater AUTOTERM Air 8D

АДВР.320.03.00.000 КДС

Manufacturer: ADVERS LLC

Novo-Sadovaja str. 106, 443068, Samara, Russia

www.autoterm.ru

Representative office of manufacturer: AUTOTERM LLC

Paleju 72, Marupe, Latvia, LV-2167

Warranty Department warranty@autoterm.com

Technical Support service@autoterm.com

www.autoterm.com

This part-and-assembly catalogue is intended for companies and individuals involved in installing, repairing, and maintaining air heater Autoterm Air 8D.

This catalogue consists of two sections:

1. A schematic drawing of the **air heater** (figure 1) and a list of the air-heater's parts and assemblies (table 1)
2. A schematic drawing of the **heater** (figure 2) and a list of the heater's parts and assemblies (table 2)

If a part or assembly fails during use, look up its designation in this catalogue to order a replacement from the manufacturer.

IMPORTANT **For ease of ordering, use the manufacturer's product numbers listed in the tables below**

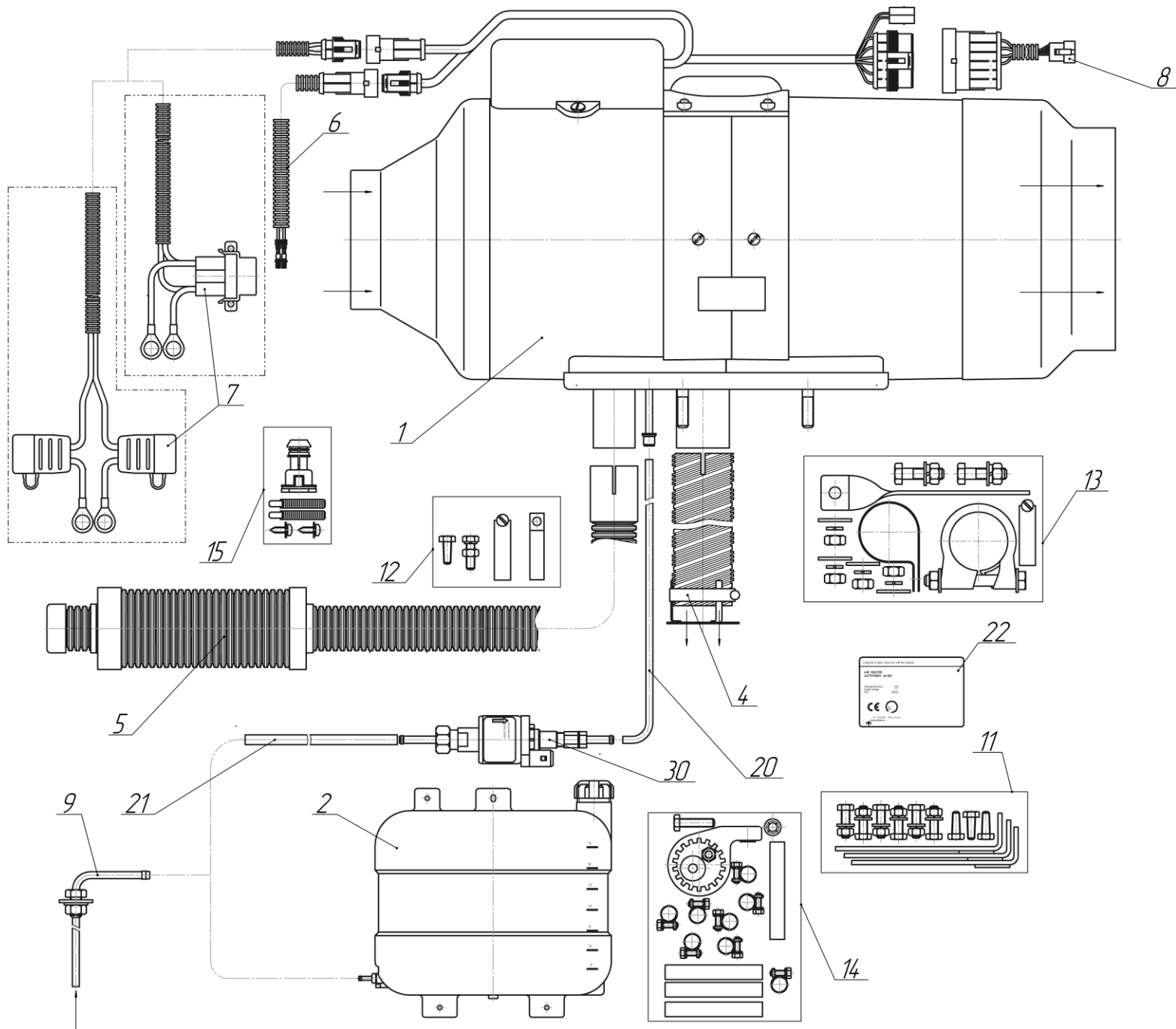


Figure 1- Schematic drawing of the air heater

Table 1

№	Part/assembly description and designation	Notes	Air 8D (24V) assy 4780	Air 8D assy 4785
	Air heater number		1	2
1	Heater			
	assy 4781	24V	1	
	assy 4786	12V		1
2	Fuel tank			
	assy 291 or assy 4121	БТ7-Ш or БТ7-Ш2	1	1
4	Exhaust pipe			
	assy 411		1	1
5	Air intake with silencer			
	assy 4767			
6	Fuel pump harness			
	assy 2061	l=6.0m	1	1
7	Power supply harness			
	assy 3647	l=6.5m	1	
	assy 1499	l=6.5m		1
8	Harness			
	assy 2067	l=1.8m	1	1
9	Fuel intake			
	assy 807		1	1
11	Fuel tank БТ7 installation kit			
	assy 9020		1	1
12	Air intake mounting kit			
	assy 9021		1	1
13	Mounting kit of exhaust pipe and heating			
	assy 9023		1	1
14	Mounting kit of fuel system			
	assy 9049		1	1
15	Mounting kit for harnesses			
	assy 9050		1	1
20	Fuel supply line			
	det. 473	l=4.0m	1	1
21	Fuel supply line			
	det.474	l=1.0m	1	1
22	Duplicate of label			
	det.5203		1	
	det.5204			1
30	Fuel pump			
	P0631 24V	Thomas Magnete	1	
	P0630 12V	Thomas Magnete		1

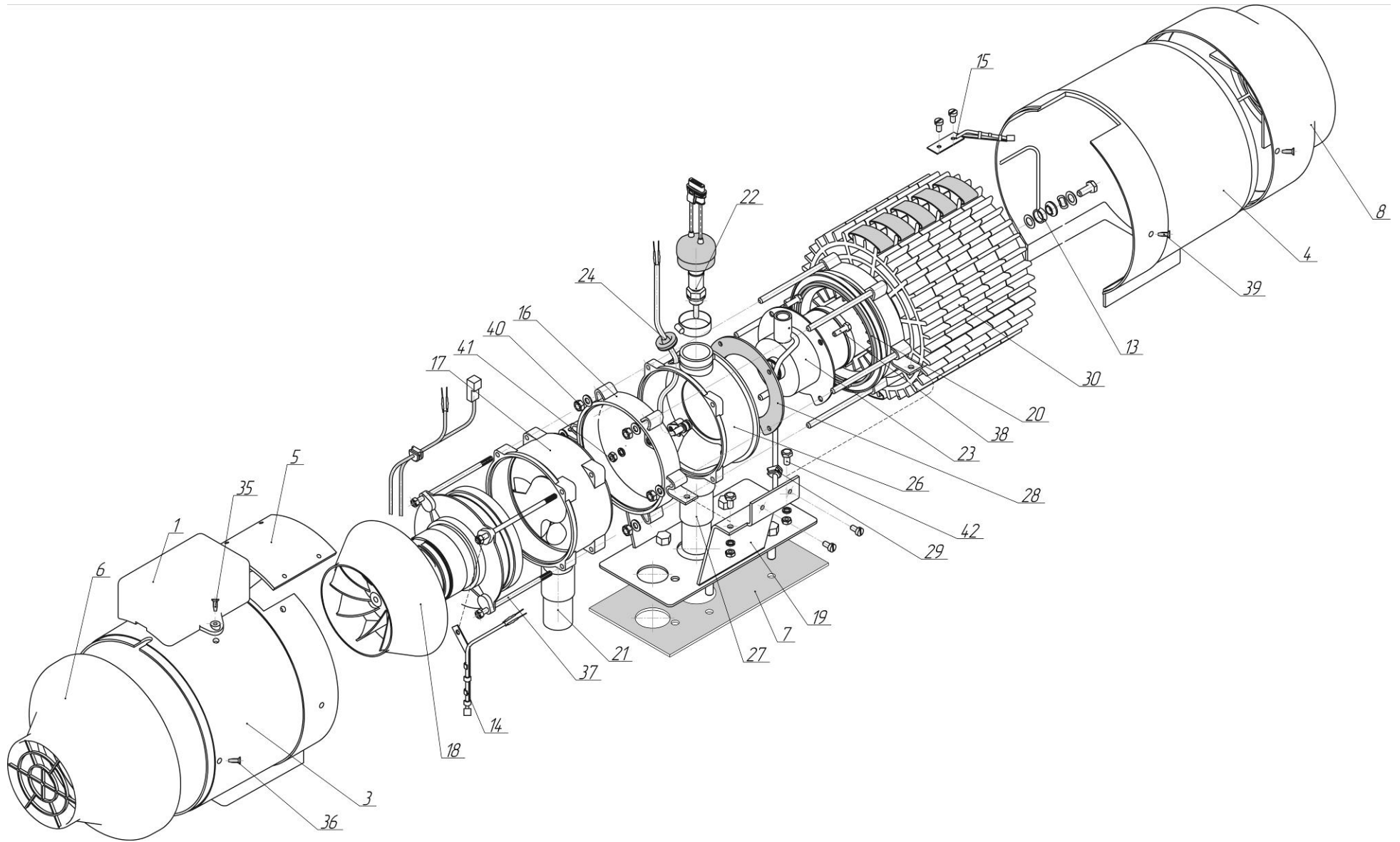


Figure 2- Schematic drawing of the heater

Table 2

No	Part/assembly description and designation	Note	assy 4791	assy 4786
	Heater number		1	2
1	Control unit			
	assy 4843	24V	1	
	assy 4787	12V		1
3	Enclosure			
	det.405		1	1
4	Enclosure			
	det.406		1	1
5	Cover			
	det.471		1	1
6	Intake grid			
	det.1682		1	1
7	Seal			
	det.410		1	1
8	Exhaust grid			
	det.1681		1	1
13	Temperature sensor			
	assy 3078	Temperature sensor	1	1
	det.3939	washer (mica)	1	1
	det.2661	Insulator	1	1
	Spring washer 8 DIN137		1	1
	Bolt M5x10		1	1
	Washer 5	King size	1	1
14	Intake sensor			
	assy 3068		1	1
15	Sensor			
	assy 2331		1	1
	Screw M3x8 DIN 7500		2	2
16	Adapter ring			
	assy 446		1	1
17	Scroll housing			
	assy 442		1	1
18	Air pump			
	assy 3532		1	
	assy 3536			1
19	Mounting bracket			
	assy 423 or assy 471		1	1
20	Gasket			
	det.437		1	1
21	Air duct			
	det.427		1	1
22	Glow plug			
	assy 3000	AD-12V	1	1
	det.198	Washer glow plug	1	1
	Clamp Mikalor 25x40		1	1
23	Combustion chamber			
	assy 422		1	1

№	Part/assembly description and designation	Note	assy 4791	assy 4786
	Heater number		1	2
24	Flame detector			
	assy 473		1	1
26	Adapter			
	det. 425		1	1
27	Exhaust duct			
	det.426		1	1
28	Gasket			
	det.16		1	1
29	Seal			
	det.77		1	1
30	Heat exchanger			
	assy 445	Heat exchanger ring	1	1
	det.3200	Heat exchanger	1	1
	det.421	Radiator	2	2
	det.422	Clamp	10	10
	det.3143	Radiator (with sensor sockets)	1	1
	det.3144	Radiator (truncated)	2	2
35	Screw 3,9x13		6	6
36	Screw 3,5x12		6	6
37	Screw M5x100 DIN912		4	4
38	Bolt M5x20		3	3
	Bolt M5x25		1	1
39	Screw M5x20 DIN 7985		4	4
40	Nut M6		6	6
41	Nut M5		1	1
42	Nut M6		4	4