

EN



autoterm

SPARE PARTS CATALOGUE

for AUTOTERM AIR 8D

Manufacturer: ADVERS LLC

Novo-Sadovaja street, 106, 443068, Samara, Russia

www.autoterm.com

Representative office: AUTOTERM LLC

Paleju 72, Marupe, Latvia, LV-2167

Warranty Department warranty@autoterm.com

Technical Support service@autoterm.com

www.autoterm.com

This spare parts catalogue is intended for companies and individuals involved in installing, repairing, and maintaining air heaters AUTOTERM AIR 8D.

This catalogue consists of two sections:

1. Contents of the installation kit of the heater (Figure 1, Table 1)
2. Schematic of the heater's spare parts (Figure 2, Table 2)

If a part fails during use of the heater, look for its designation in this catalogue to order a replacement from the manufacturer.



To facilitate ordering, use the manufacturer's spare parts numbers in the tables below.

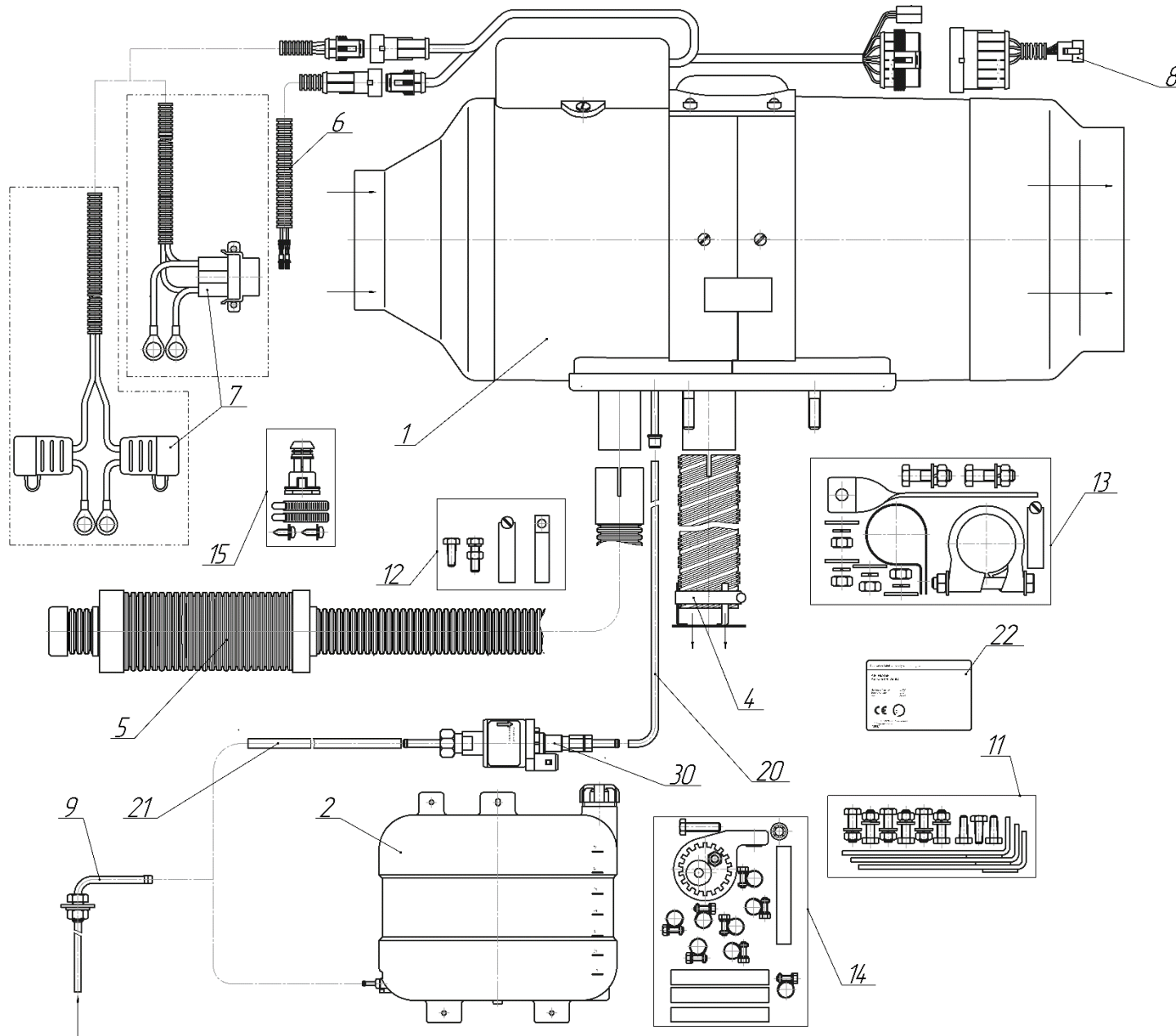


Figure 1 – Contents of the installation kit

Table 1

No	Part/assembly description and designation	Notes	Air 8D (24V) ASSY 4780	Air 8D ASSY 4785
	Air heater number		1	2
1	Heater			
	ASSY 4781	24V	1	
	ASSY 4786	12V		1
2	Fuel tank			
	ASSY 291 or ASSY 4121	БТ7-Ш or БТ7-Ш2	1	1
4	Exhaust pipe			
	ASSY 411		1	1
5	Air intake with silencer			
	ASSY 4767			
6	Fuel pump harness			
	ASSY 2061	l=6.0m	1	1
7	Power supply harness			
	ASSY 3647	l=6.5m	1	
	ASSY 1499	l=6.5m		1
8	Control panel harness			
	ASSY 2067	l=1.8m	1	1
9	Fuel intake			
	ASSY 807		1	1
11	Fuel tank БТ7 installation kit			
	ASSY 9020		1	1
12	Air intake mounting kit			
	ASSY 9021		1	1
13	Exhaust pipe and heater mounting kit			
	ASSY 9023		1	1
14	Fuel system mounting kit			
	ASSY 9049		1	1
15	Wiring harnesses mounting kit			
	ASSY 9050		1	1
20	Fuel supply line			
	p.473	l=4.0m	1	1
21	Fuel supply line			
	p.474	l=1.0m	1	1
22	Duplicate of label			
	p.5203		1	
	p.5204			1
30	Fuel pump			
	P0631 24V	Thomas Magnete	1	
	P0630 12V	Thomas Magnete		1

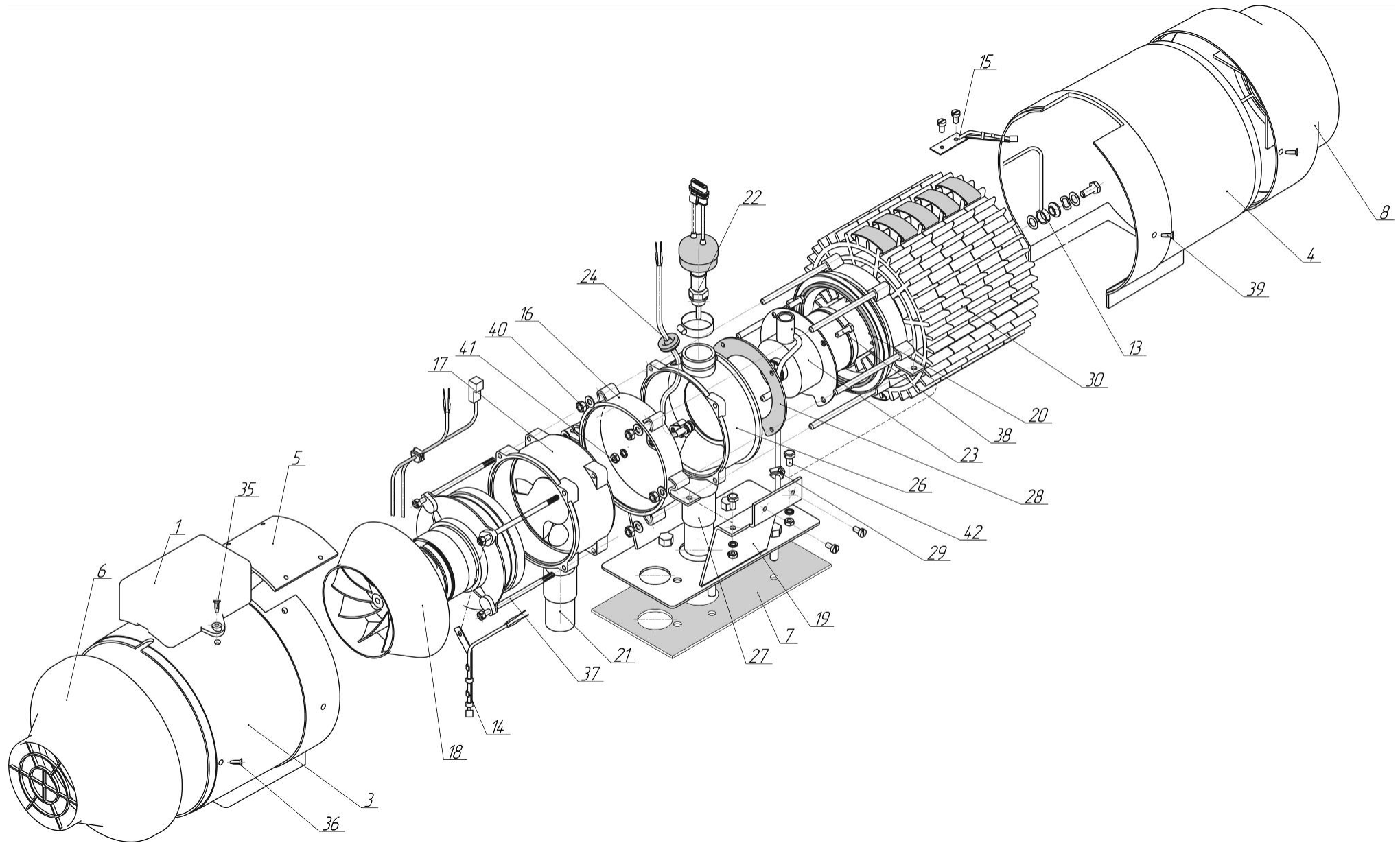


Figure 2 – Schematic of spare parts for the heater

Table 2

No	Part/assembly description and designation	Note	ASSY 4791	ASSY 4786
	Heater number		1	2
1	Control unit			
	ASSY 4843	24V	1	
	ASSY 4787	12V		1
3	Casing			
	p.405		1	1
4	Casing			
	p.406		1	1
5	Cover			
	p.471		1	1
6	Inlet grille for casing			
	p.1682		1	1
7	Mounting seal			
	p.410		1	1
8	Outlet grille for casing			
	p.1681		1	1
13	Temperature sensor			
	ASSY 3078	Temperature sensor	1	1
	p.3939	Washer (mica)	1	1
	p.2661	Insulator	1	1
	Spring washer 8 DIN137		1	1
	Bolt M5x10		1	1
	Washer Ø5	Enlarged	1	1
14	Air flow sensor (intake)			
	ASSY 3068		1	1
15	Air flow sensor (output)			
	ASSY 2331		1	1
	Screw M3x8 DIN 7500		2	2
16	Adapter ring			
	ASSY 446		1	1
17	Air intake adapter			
	ASSY 442		1	1
18	Air pump			
	ASSY 3532		1	
	ASSY 3536			1
19	Mounting bracket			
	ASSY 423 or ASSY 471		1	1
20	Gasket			
	p.437		1	1
21	Air intake			
	p.427		1	1
22	Glow plug			
	ASSY 3000	AD-12V	1	1
	p.198	Washer glow plug	1	1
	Clamp Mikalor 25x40		1	1

No	Part/assembly description and designation	Note	ASSY 4791	ASSY 4786
	Heater number		1	2
23	Combustion chamber			
	ASSY 422		1	1
24	Flame indicator			
	ASSY 473		1	1
26	Exhaust adapter			
	p.425		1	1
27	Exhaust duct			
	p.426		1	1
28	Gasket			
	p.16		1	1
29	Seal			
	p.77		1	1
30	Heat exchanger			
	ASSY 445	Heat exchanger ring	1	1
	p.3200	Heat exchanger	1	1
	p.421	Radiator	2	2
	p.422	Clamp	10	10
	p.3143	Radiator (with sensor sockets)	1	1
	p.3144	Radiator (truncated)	2	2
35	Screw 3,9x13		6	6
36	Screw 3,5x12		6	6
37	Screw M5x100 DIN912		4	4
38	Bolt M5x20		3	3
	Bolt M5x25		1	1
39	Screw M5x20 DIN 7985		4	4
40	Nut M6		6	6
41	Nut M5		1	1
42	Nut M6		4	4