

EN



SPARE PARTS CATALOGUE

for AUTOTERM 30SP-24

Manufacturer: ADVERS LLC

Novo-Sadovaja street, 106, 443068, Samara, Russia

www.autoterm.com

Representative office: AUTOTERM LLC

Paleju 72, Marupe, Latvia, LV-2167

Warranty Department warranty@autoterm.com

Technical Support service@autoterm.com

www.autoterm.com

This spare parts catalogue is intended for companies and individuals involved in installing, repairing, and maintaining liquid heaters AUTOTERM 30SP-24.

This catalogue consists of three sections:

1. Contents of the installation kit of the heater (Figure 1, Table 1)
2. Outer schematic of the heater's spare parts (Figure 2, Table 2)
3. Inner schematic of the heater's spare parts (Figure 3, Table 3)

If a part fails during use of the heater, look for its designation in this catalogue to order a replacement from the manufacturer.



To facilitate ordering, use the manufacturer's spare parts numbers in the tables below.

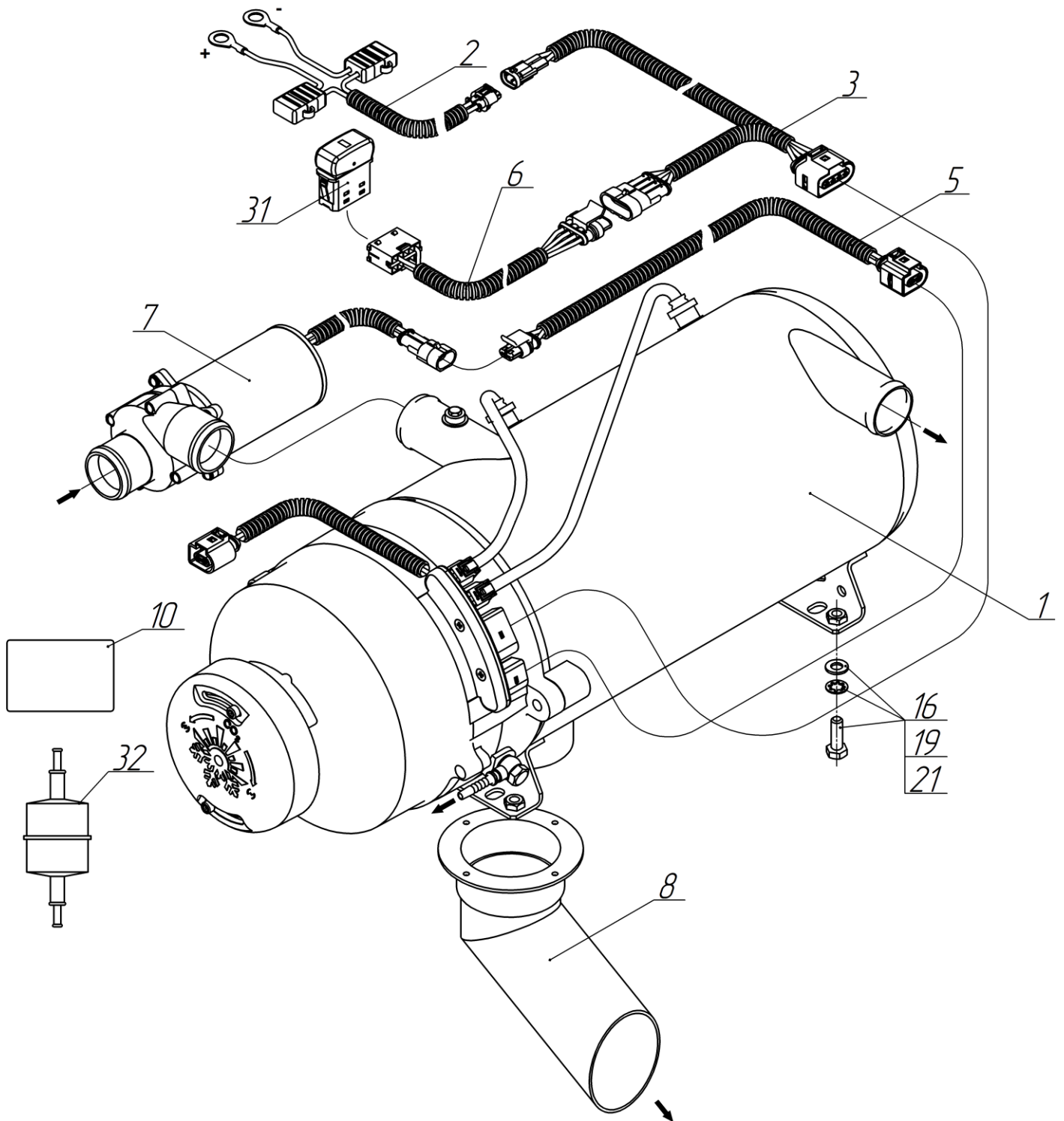


Figure 1 – Contents of the installation kit

Table 1

| № | Part/assembly description and designation | Notes | 30SP-24 ASSY 5135 |
|----|---|-------|----------------------|
| | Pre-heater number | | 1 |
| 1 | Heater | | |
| | ASSY 5136 | | 1 |
| 2 | Power supply harness | | |
| | ASSY 2017 | | 1 |
| 3 | Harness | | |
| | ASSY 4676 | | 1 |
| 5 | Pump harness | | |
| | ASSY 4652 | | 1 |
| 6 | Switch harness | | |
| | ASSY 4696 | l=18m | 1 |
| 7 | Liquid pump | | |
| | ASSY 5675 | | 1 |
| | Bolt M6x20 | | 4 |
| | Nut M6 | | 4 |
| | Washer Ø6 | | 4 |
| | Lock washer 6 | | 4 |
| 8 | Exhaust pipe | | |
| | ASSY 4763 | | 1 |
| 10 | Duplicate of label | | |
| | p.5478 | | 1 |
| 16 | Bolt M8x25 | | 4 |
| 19 | Washer 8 | | 4 |
| 21 | Lock washer 8 | | 4 |
| 31 | Switch Φ5.3709.011-379 ПКл.13.151.24.3.о. | | 1 |
| 32 | Fuel filter BIG FILTER GB 612 | | 1 |

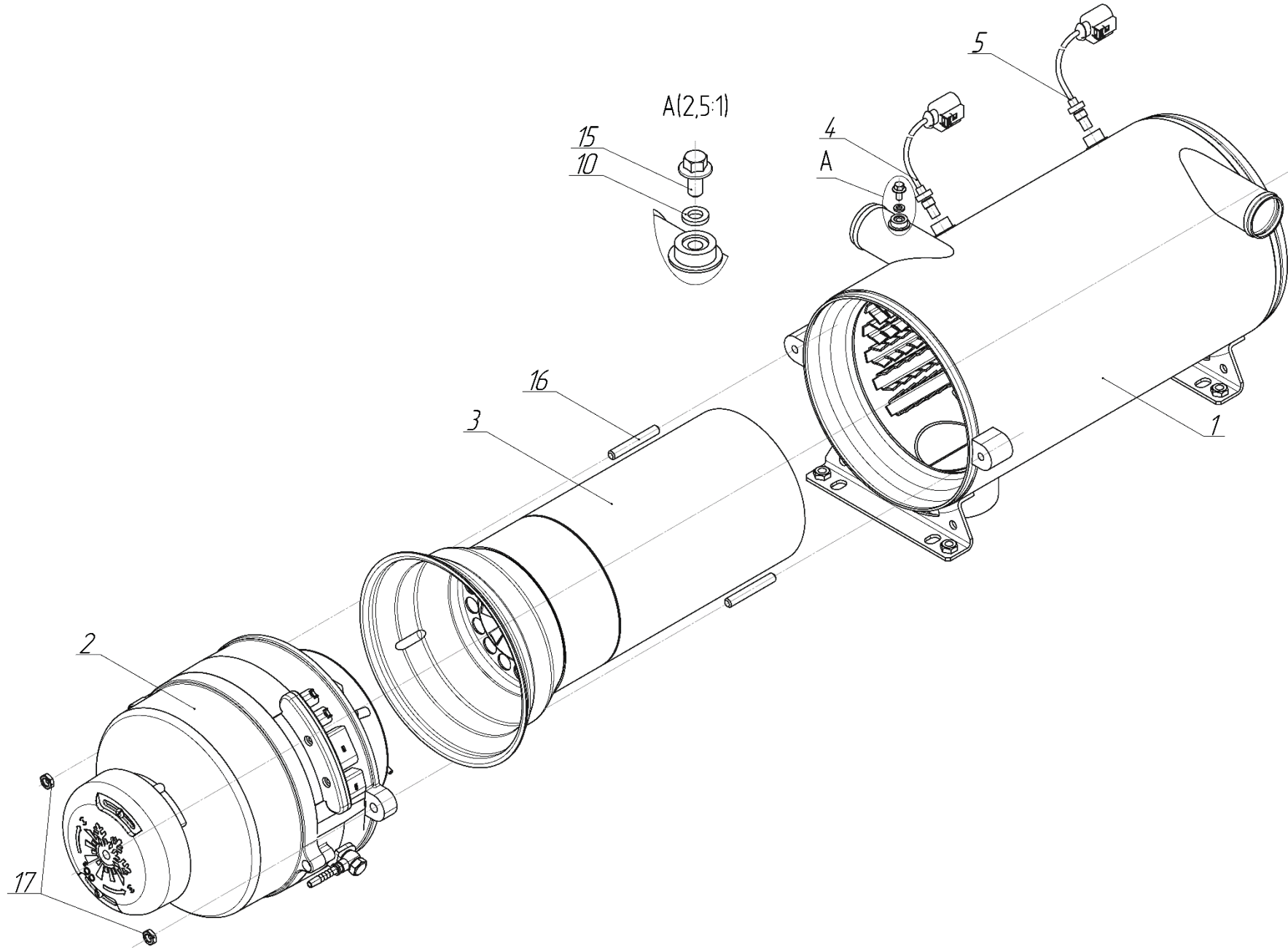


Figure 2 – Outer schematic of spare parts for the heater

Table 2

| № | Part/assembly description and designation | Notes | ASSY 5136 |
|----|---|-------|-----------|
| | Heater number | | 1 |
| 1 | Heat exchanger | | |
| | ASSY 4457 | | 1 |
| 2 | Main burner unit | | |
| | ASSY 4458 | | 1 |
| 3 | Combustion chamber | | |
| | ASSY 4459 | | 1 |
| 4 | Temperature sensor | | |
| | ASSY 4473 | | 1 |
| 5 | Overheat sensor | | |
| | ASSY 4478 | | 1 |
| 10 | O-ring | | |
| | p.1317 | | 1 |
| 15 | Bolt M5x10 | | 1 |
| 16 | Stud M8x45 | | 1 |
| 17 | Nut M8 DIN 6927 | | 2 |

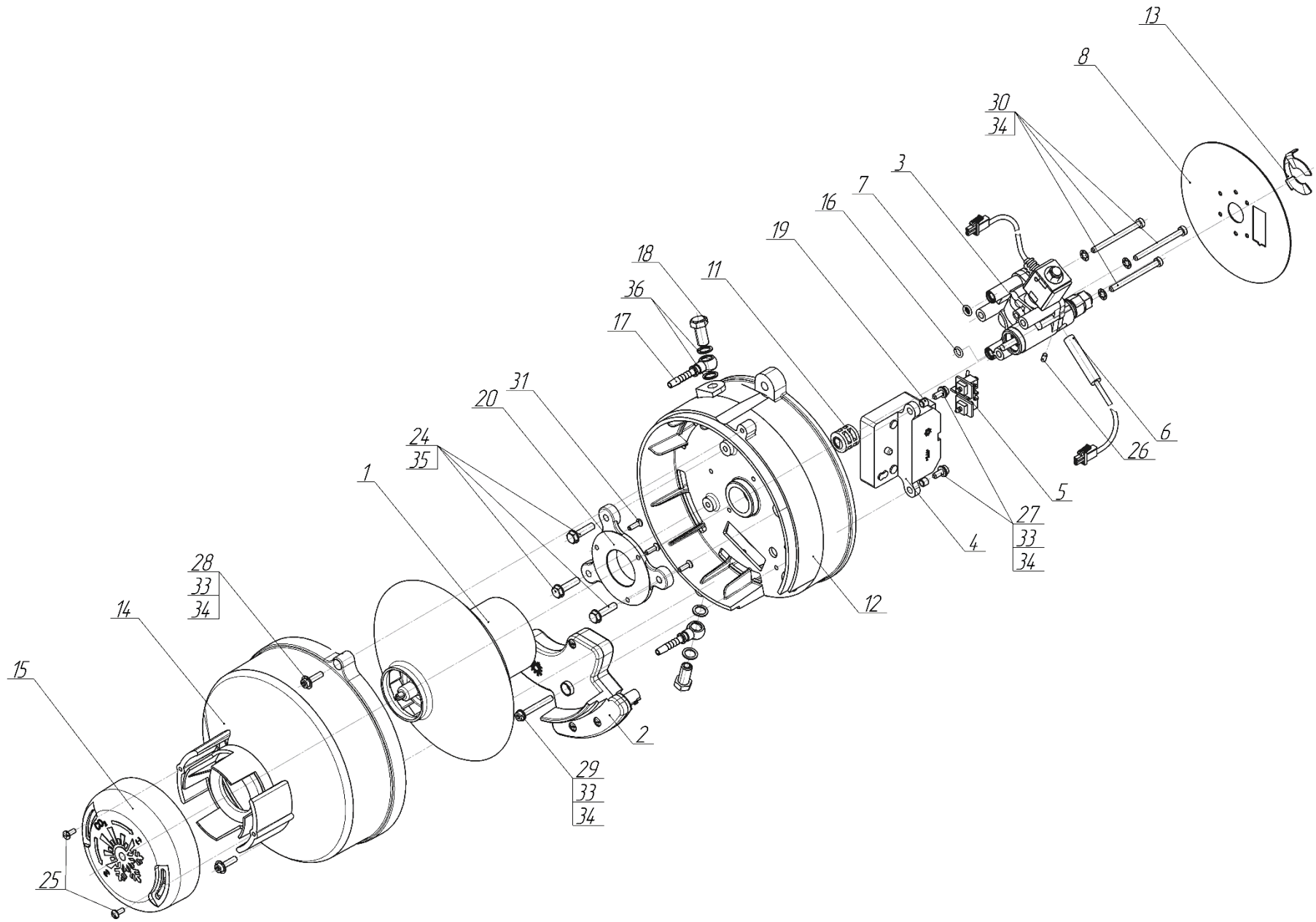


Figure 3 – Inner schematic of spare parts for the heater

Table 3

| No | Part/assembly description and designation | Notes | ASSY 4458 |
|----|---|----------------|-----------|
| | Number | | 1 |
| 1 | Air pump | | |
| | ASSY 4561 | | 1 |
| 2 | Control unit | | |
| | ASSY 4677 | | 1 |
| 3 | Fuel pump | | |
| | ASSY 4496 | | 1 |
| | ASSY 4584 | Solenoid valve | 1 |
| 4 | Electronic ignition unit | | |
| | ASSY 4466 | | 1 |
| 5 | Ignition electrode | | |
| | ASSY 4628 | | 1 |
| 6 | Heating element | | |
| | ASSY 4649 | | 1 |
| 7 | O-ring with filter | | |
| | ASSY 4739 | | 1 |
| 8 | Disk | | |
| | ASSY 4822 | | 1 |
| 11 | Coupling | | |
| | p.4779 | | 1 |
| 12 | Adapter | | |
| | p.4773 | | 1 |
| 13 | Lock washer | | |
| | p.4916 | | 1 |
| 14 | Air pump cover | | |
| | p.4994 | | 1 |
| 15 | Air intake | | |
| | p.4995 | | 1 |
| 16 | O-ring | | |
| | p.4722 | | 1 |
| 17 | Banjo fitting | | |
| | p.5179 | | 2 |
| 18 | Bolt | | |
| | p.5180 | | 2 |
| 19 | Sleeve | | |
| | p.4910 | | 2 |
| 20 | Adapter | | |
| | p.4862 | | 1 |
| 21 | Washer | | |
| | p.5447 | | 4 |
| 24 | Bolt M6x20 | | 3 |
| 25 | Screw M3,5x13 DIN 7981 | | 2 |
| 26 | Screw M4x8 DIN916 | | 1 |
| 27 | Screw M5x12 DIN 912 | | 2 |
| 28 | Screw M5x20 DIN 912 | | 2 |
| 29 | Screw M5x40 DIN 912 | | 1 |
| 30 | Screw M5x60 DIN 912 | | 3 |
| 31 | Screw M4x14 DIN 965 | | 3 |
| 33 | Washer 5 | | 5 |
| 34 | Lock washer 5 | | 8 |
| 35 | Lock washer 6 | | 3 |