

EN



Autoterm Air 2D protective box assembly manual

Manufacturer: ADVERS LLC

Novo-Sadovaja str. 106, 443068, Samara, Russia

www.advers.ru

Representative office of manufacturer: AUTOTERM LLC

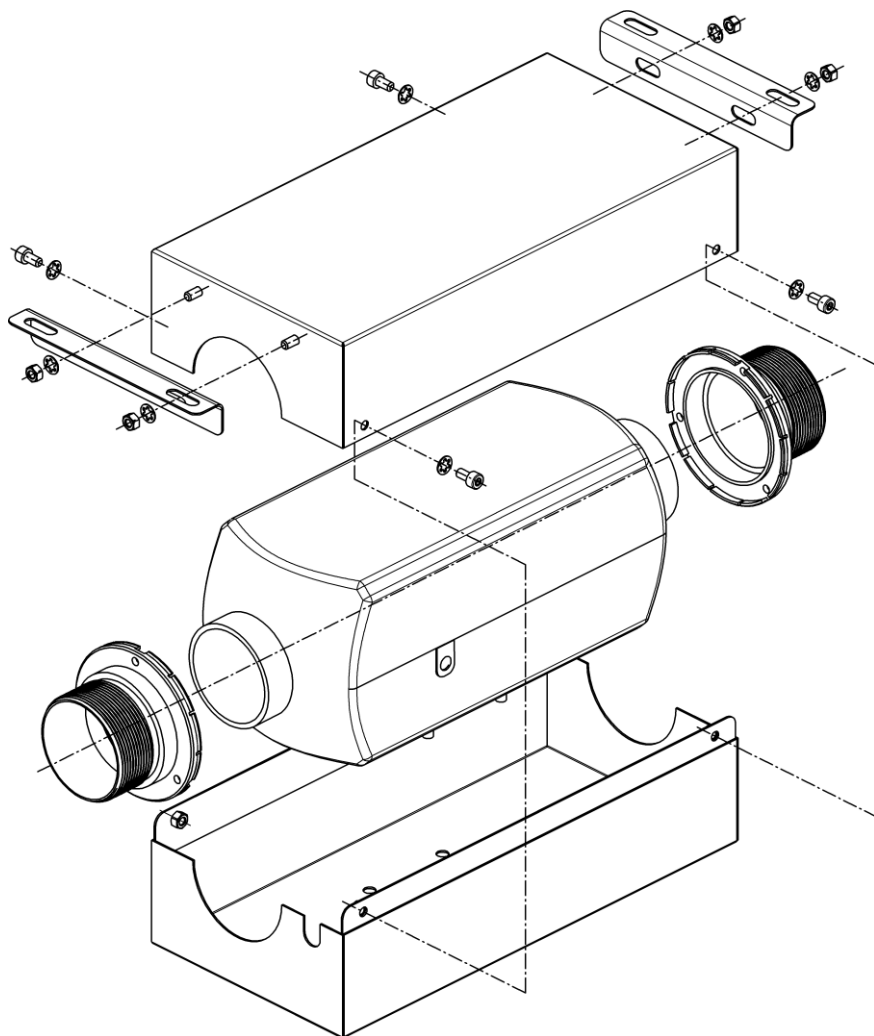
Paleju 72, Marupe, Latvia, LV-2167

Warranty Department warranty@autoterm.com

Technical Support service@autoterm.com

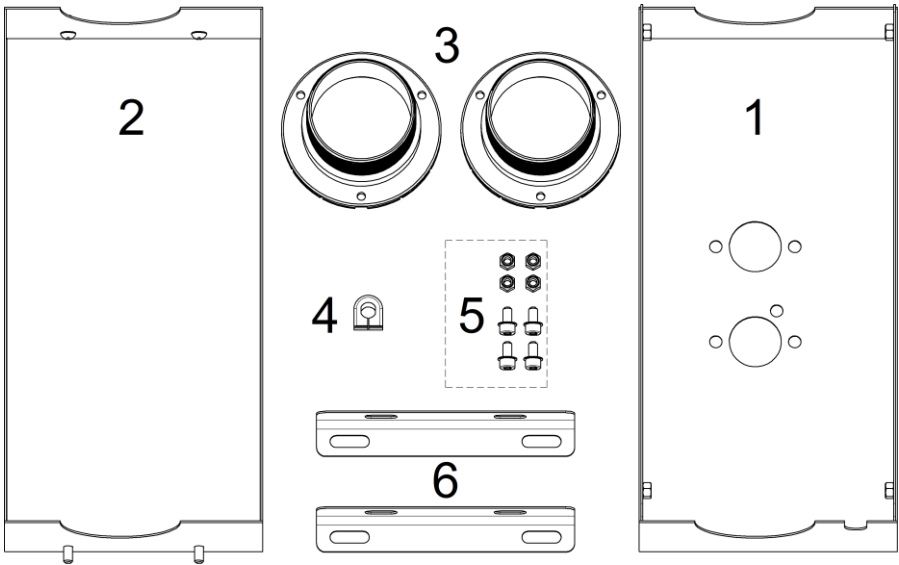
www.autoterm.com

Mounting/protective box is intended for the Autoterm Air 2D 12/24V heater indoor or outdoor installation and complies with the IP44 requirements. This protective box helps to keep heater reliability in the hard exploitation conditions. Heater mounting positions should be kept according heater installation manual.



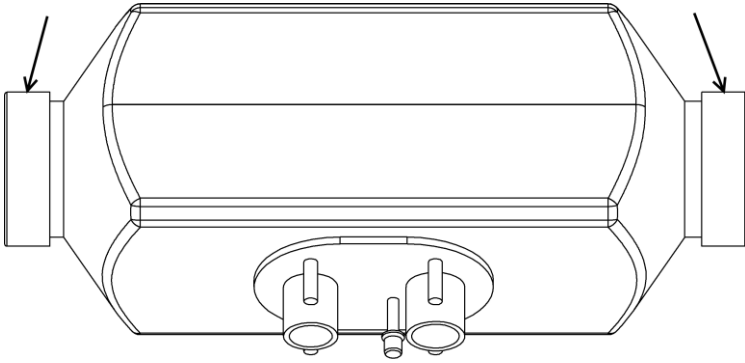
Standard assy 6075 kit includes:

1. Bottom plate;
2. Top cover;
3. Two 60mm air pipe flanges;
4. Rubber seal for the wiring harness;
5. 4x screws and nuts;
6. Bracket kit for mounting box.



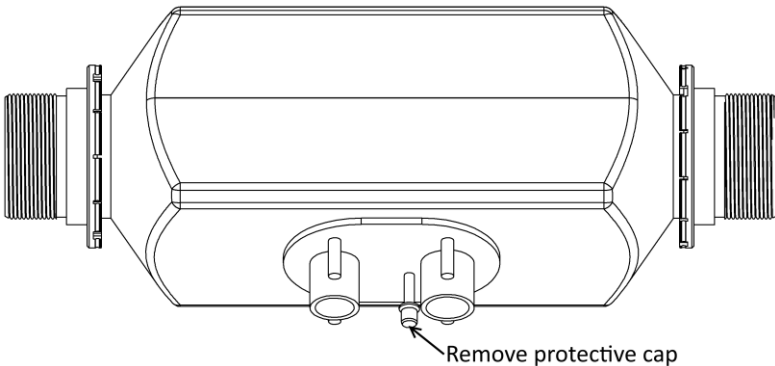
Picture 1

1. Remove two grilles on both sides of the heater (Picture 2).



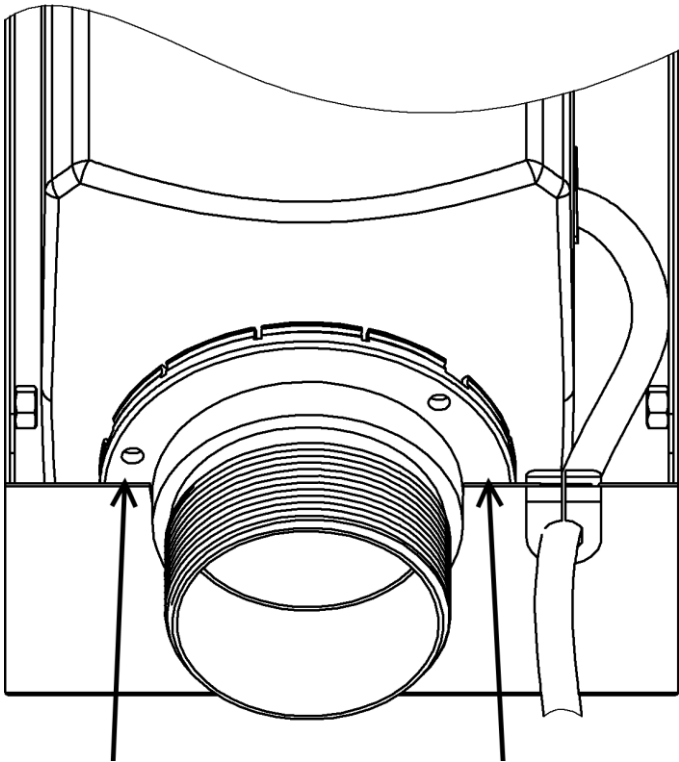
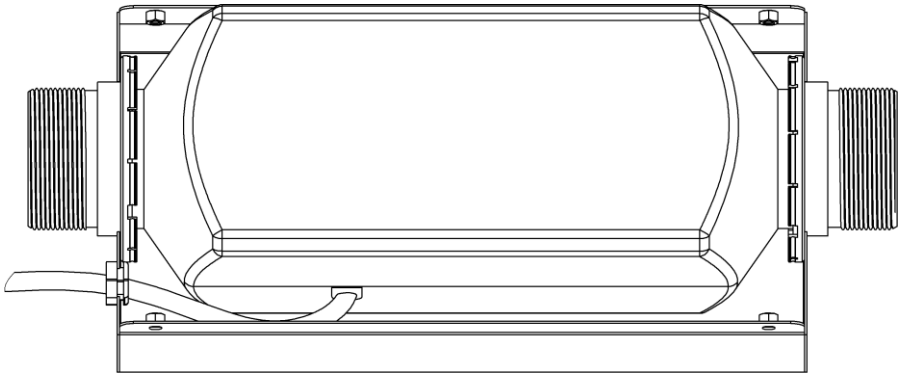
Picture 2

2. Remove fuel line protective cup and put air pipes flanges onto grilles places as is shown in the Picture 3.



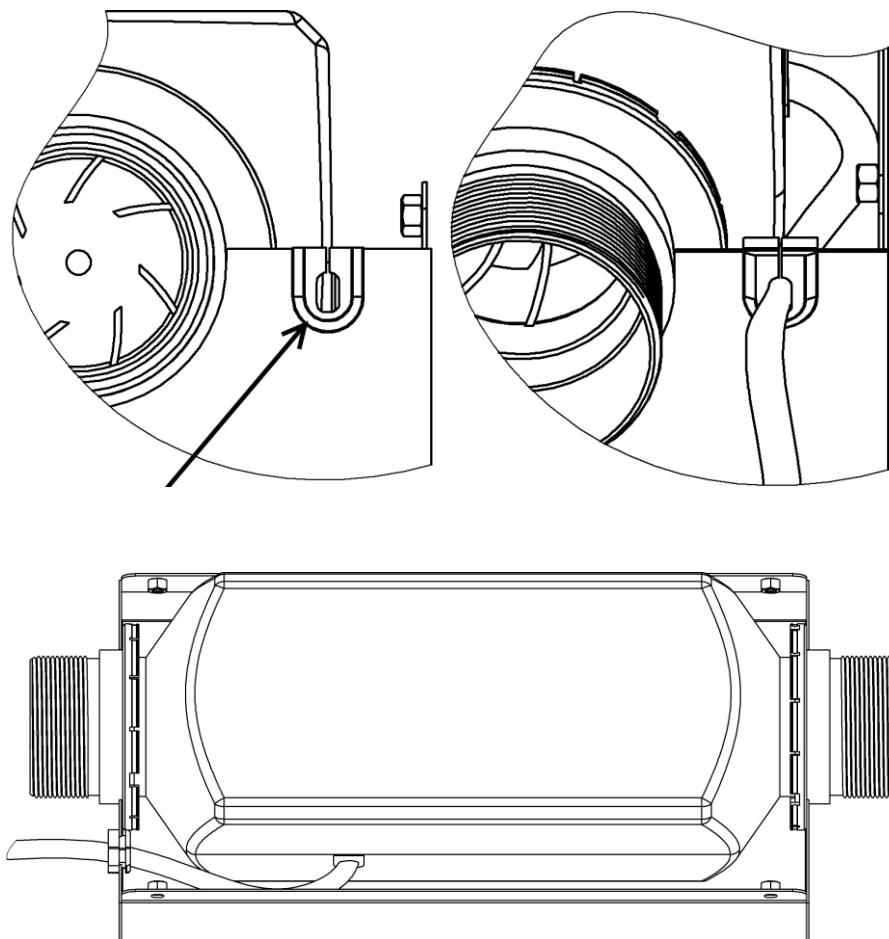
Picture 3

3. Put the heater into the bottom plate to have intake, exhaust and fuel pipe connectors out of the bottom plate. Make sure air pipes flanges are in correct positions (Picture 4). If necessary, fasten the heater to the bottom plate using the nuts from the mounting kit supplied with the heater*
* (Depends on type of mounting bracket)



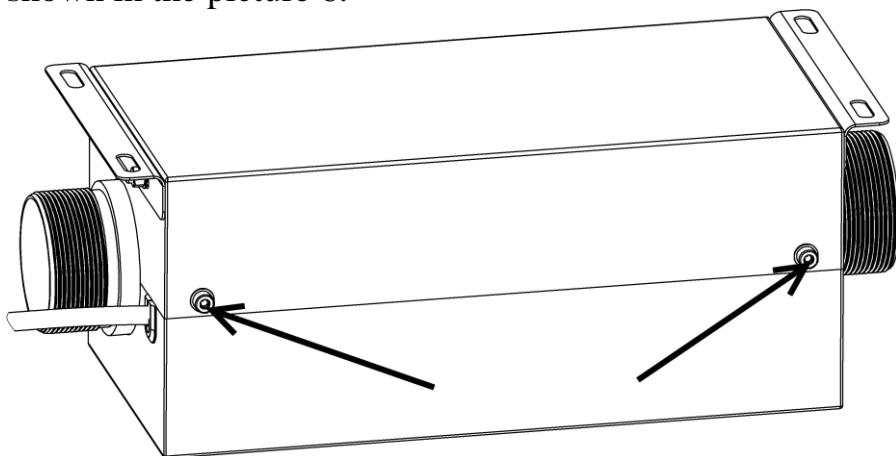
Picture 4

4. Insert the rubber seal to the notch and insert heater harness as shown in the Picture 5.



Picture 5.

5. Put top cover and tight it with the 4x screws as is shown in the picture 6.



Picture 6.

6. Mounting box dimensions:

