

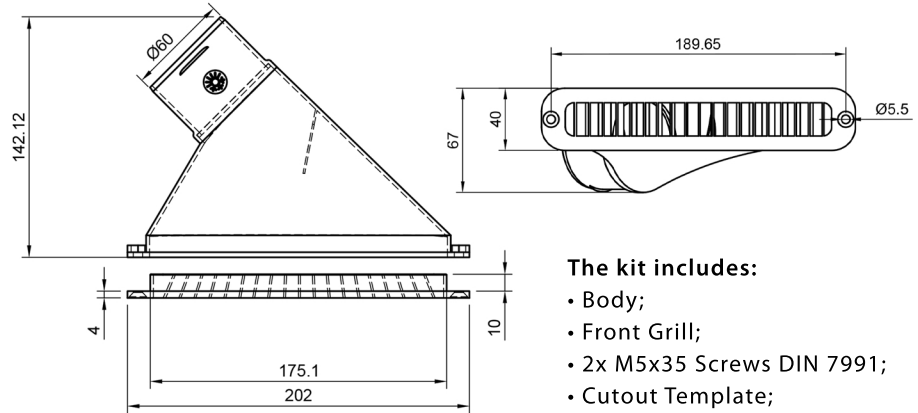
Narrow Diffuser 45° - Ø60mm Connection



Installation Guidelines

- 1 Select a location for the deflector, ensuring 10 mm of free space on each side, plus clearance under the surface for the deflector housing.
- 2 Cut out the template below to mark the location for the cutout. Use a proper tool to cut a hole in the surface.
- 3 Using the provided M5 screws, screw both parts together.

Note! This deflector may emit a slight plastic odor during the first 10 hours of use.



The kit includes:

- Body;
- Front Grill;
- 2x M5x35 Screws DIN 7991;
- Cutout Template;
- Guideline sheet.

Material - Carbon Reinforced Nylon (PA12-CF15)

Operating Temperature from -30°C to 150°C

Use this as a template for cutout placement.

